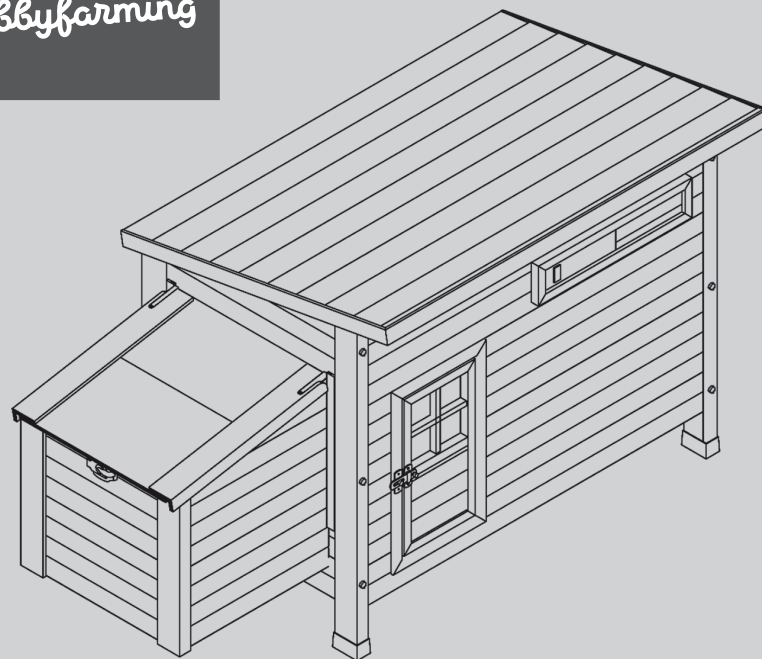
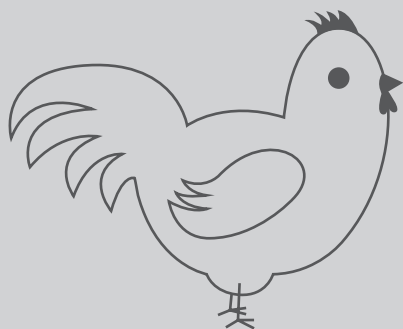


 **KERBL**  
Hobbyfarming

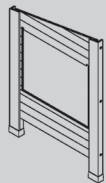


**BARNEY**

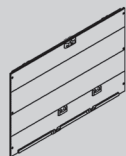
**#81731**

(DE) Aufbauanleitung  
(FR) Instruction de Montage  
(EN) Assembly Instruction  
(PL) Instrukcja montażu

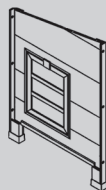
# Parts List



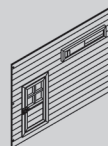
Part 1 X 1



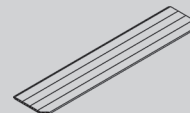
Part 2 X 1



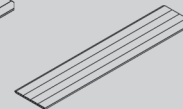
Part 3 X 1



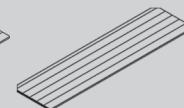
Part 4 X 1



Part 5 X 1



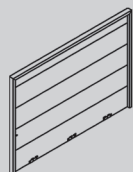
Part 6 X 1



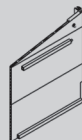
Part 7 X 1



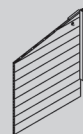
Part 8 X 2



Part 9 X 1



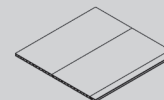
Part 10 X 1



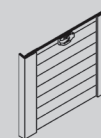
Part 11 X 1



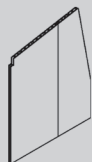
Part 12 X 1



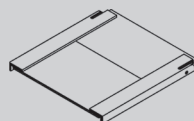
Part 13 X 1



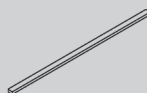
Part 14 X 1



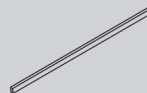
Part 15 X 1



Part 16 X 1



AX 2



BX 1



CX 3



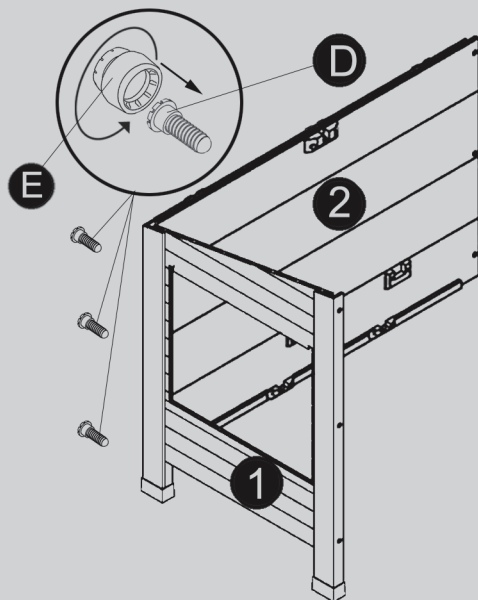
DX 18



EX 2

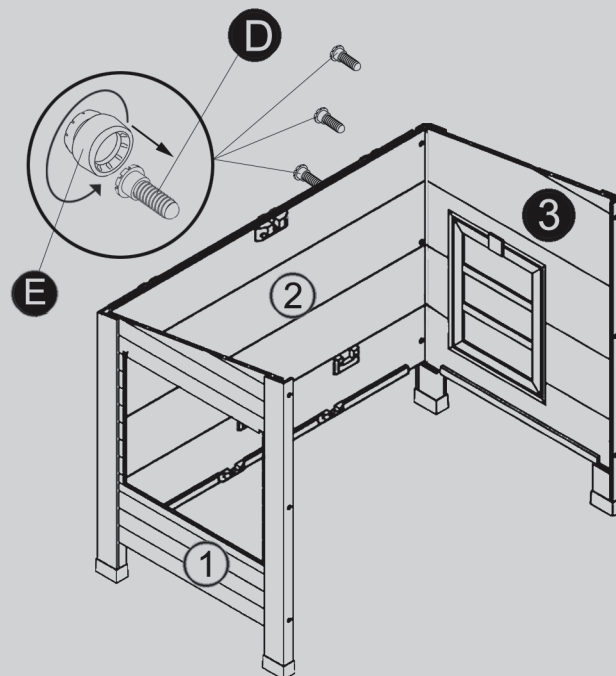
## Step 1 .

---



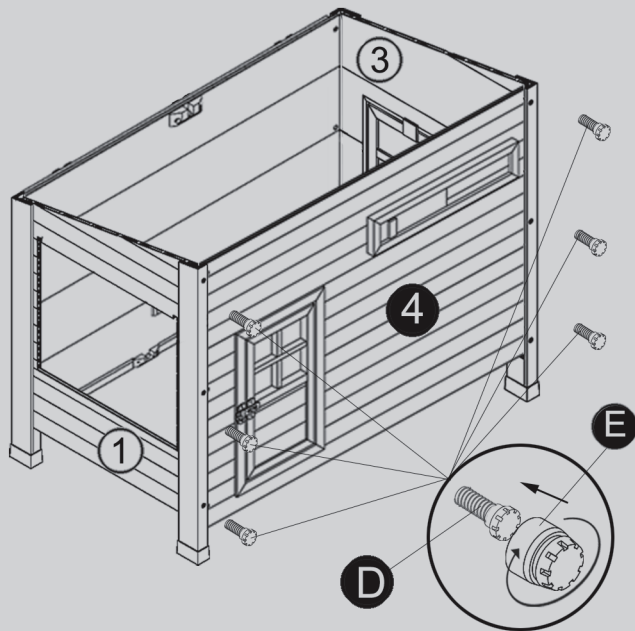
## Step 2 .

---



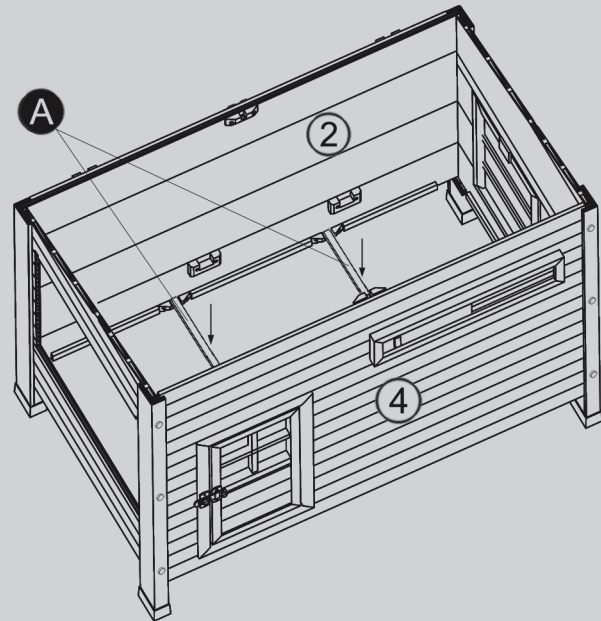
### Step 3 .

---

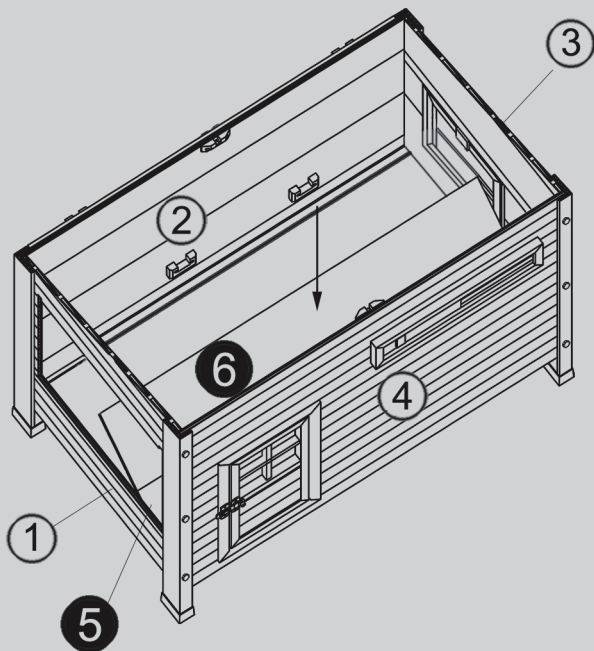


### Step 4 .

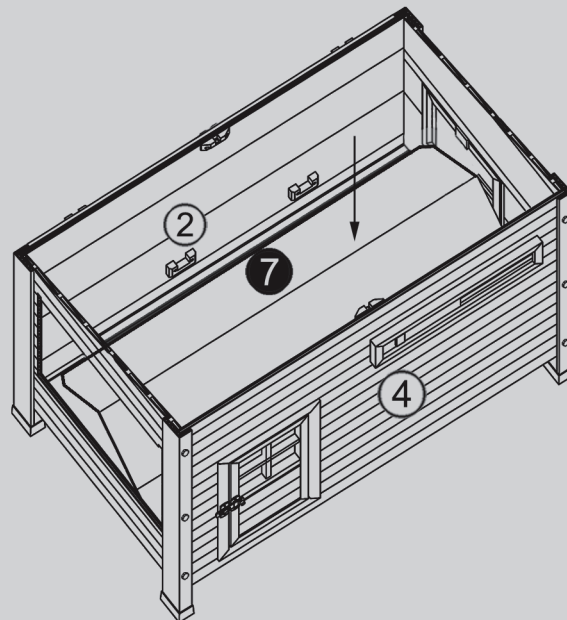
---



## Step 5 .

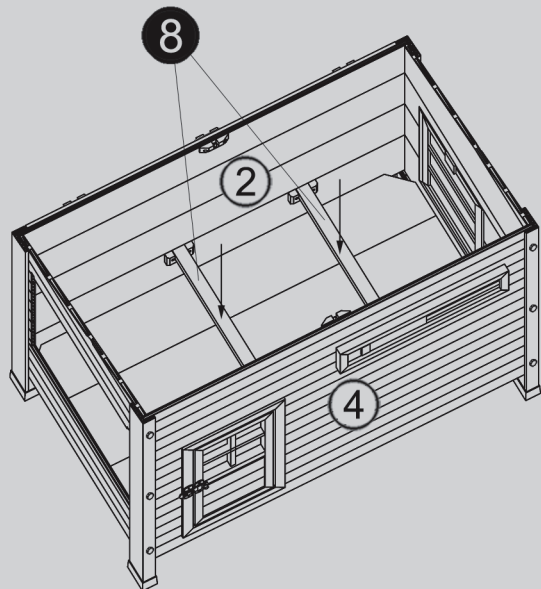


## Step 6 .



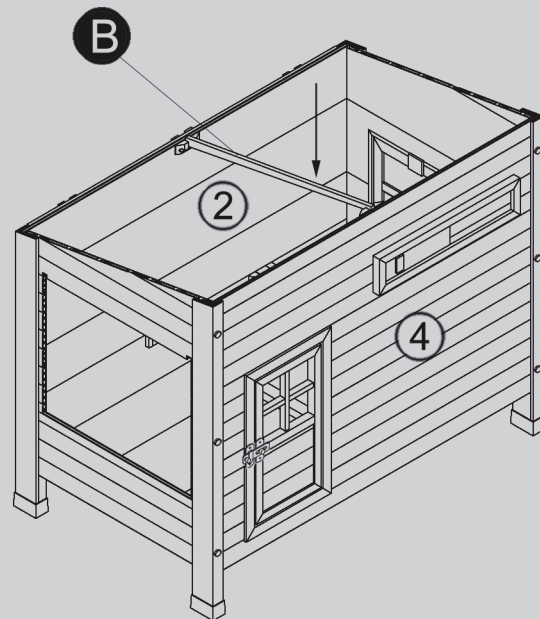
## Step 7 .

---



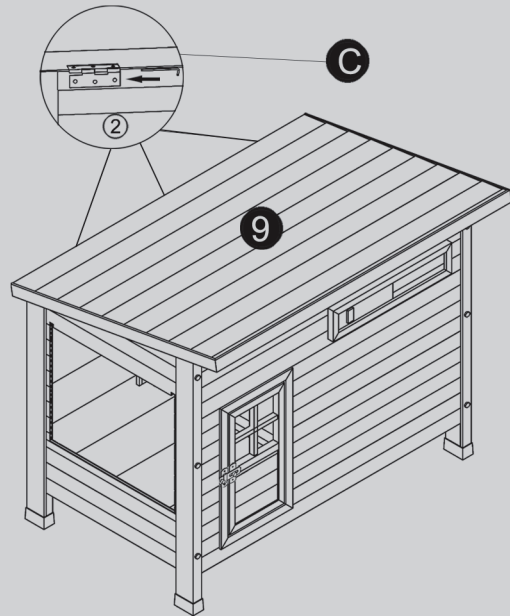
## Step 8 .

---



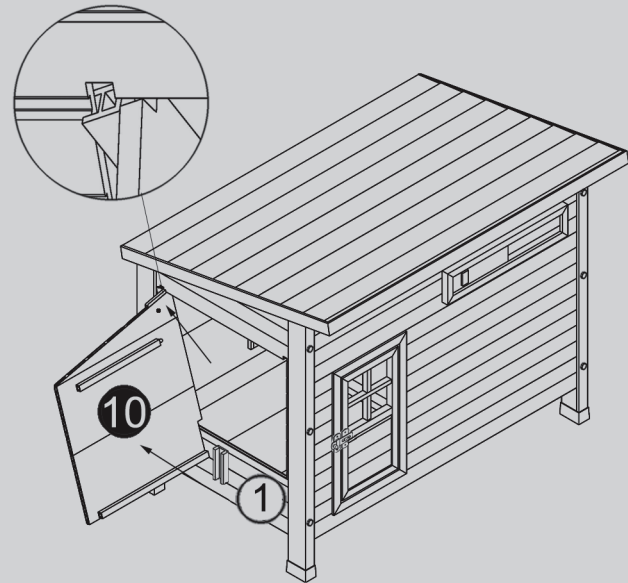
## Step 9 .

---



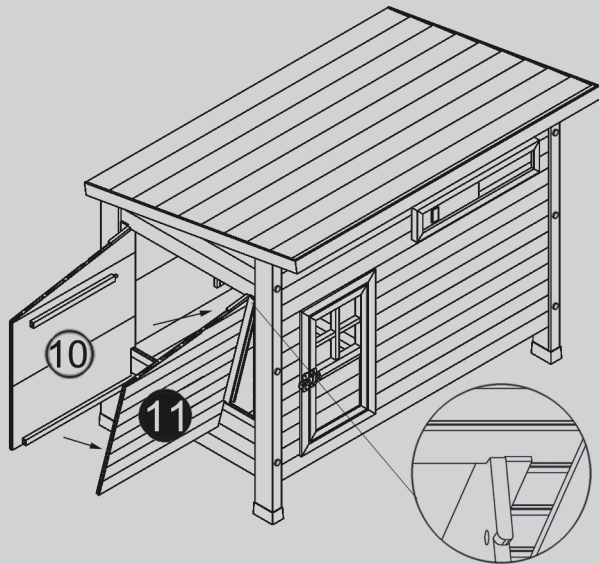
## Step 10 .

---



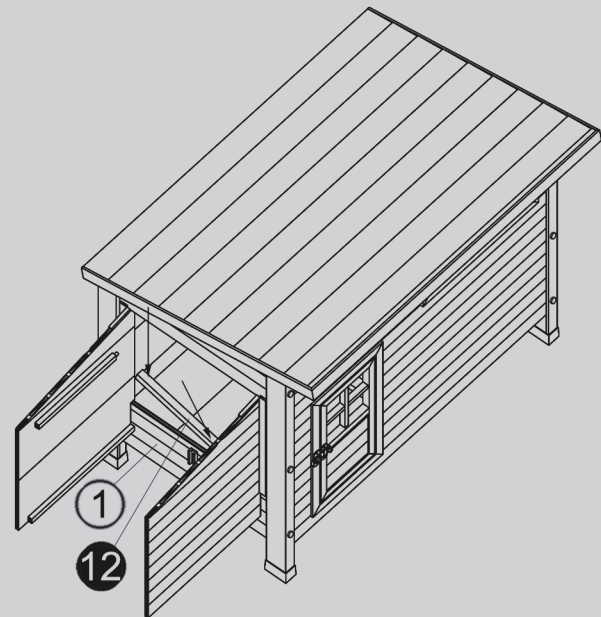
## Step 11 .

---



## Step 12 .

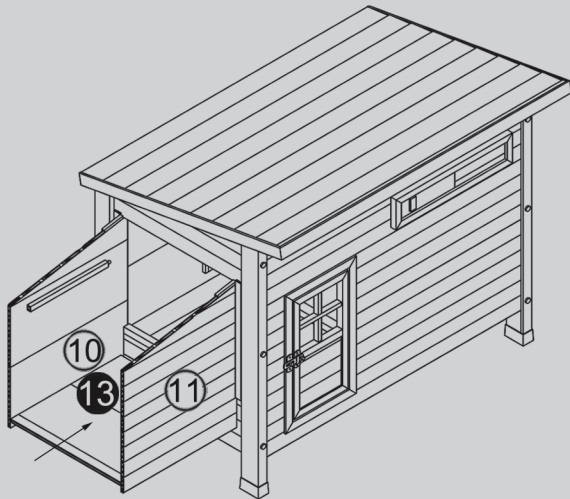
---





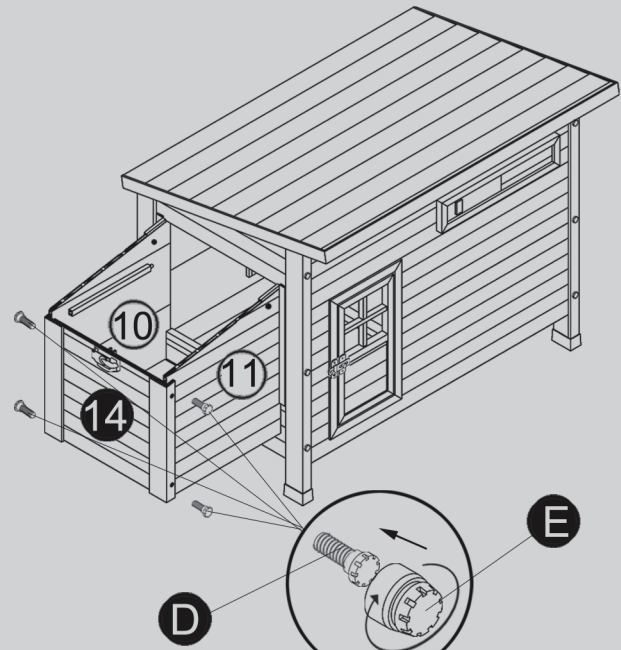
## Step 13 .

---



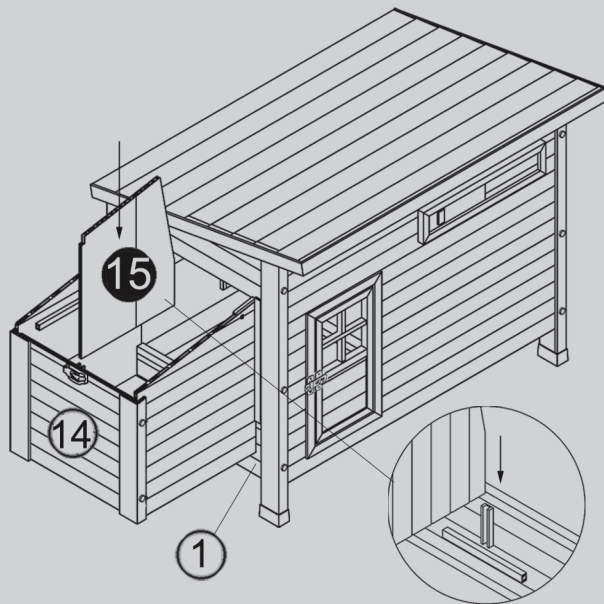
## Step 14.

---



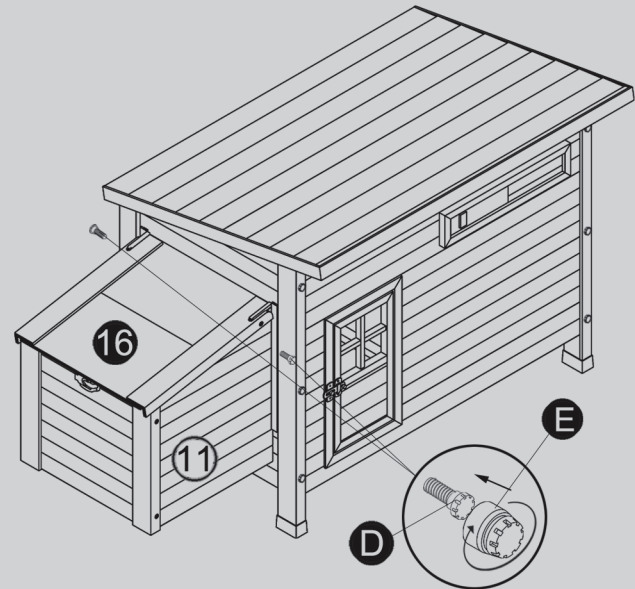
## Step 15 .

---

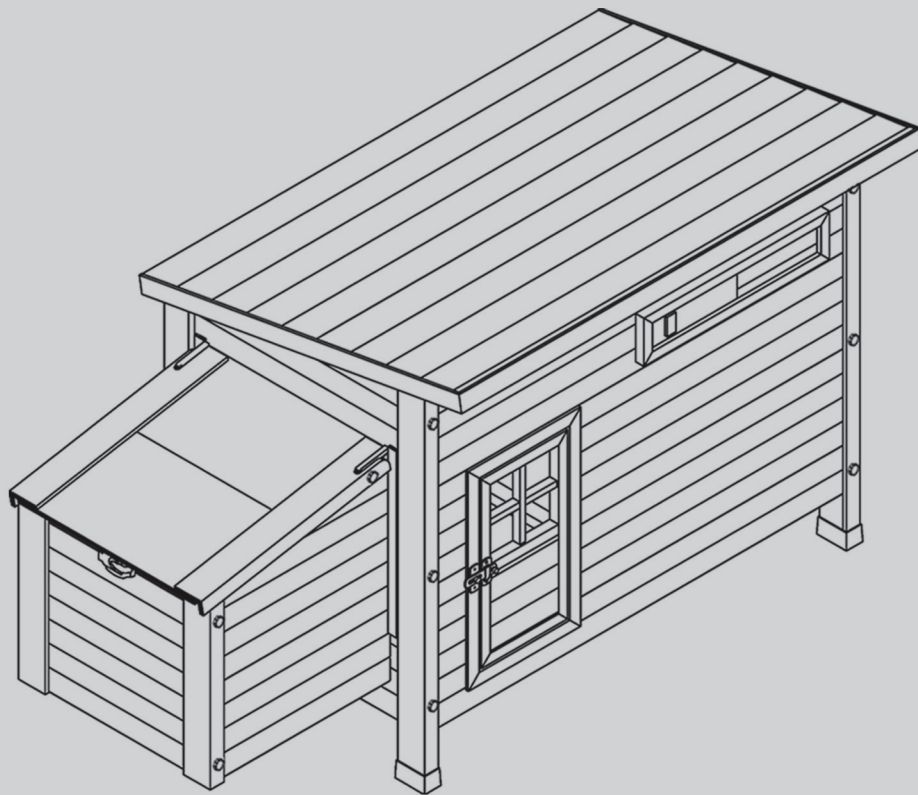


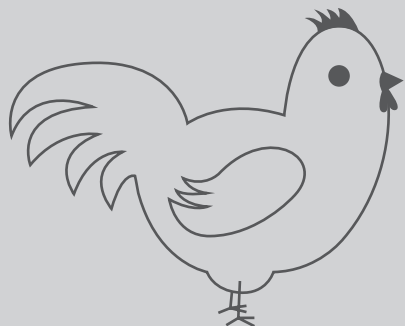
## Step 16 .

---



Complete .





Albert Kerbl GmbH  
Felizenzell 9  
84428 Buchbach, Germany  
Tel. +49 8086 933 - 100  
Fax +49 8086 933 - 500  
E-Mail [info@kerbl.de](mailto:info@kerbl.de)  
[www.kerbl.de](http://www.kerbl.de)

Kerbl Austria Handels GmbH  
Wirtschaftspark 1  
9130 Poggersdorf  
Tel. +43 4224 81555  
Fax. +43 4224 81555-629  
E-Mail [order@kerbl-austria.at](mailto:order@kerbl-austria.at)  
[www.kerbl-austria.at](http://www.kerbl-austria.at)

Kerbl France Sarl  
3 rue Henri Reuby, B.P 46 Soultz  
68501 Guebwiller Cedex, France  
Tel. +33 3 89 62 15 00  
Fax +33 3 89 83 04 46  
E-Mail [info@kerbl-france.com](mailto:info@kerbl-france.com)  
[www.kerbl-france.com](http://www.kerbl-france.com)

Kerbl UK Limited  
8 Lands End Way  
Oakham, Rutland  
LE15 6RF UK  
Phone +44 01572 722558  
Fax +44 01572 757614  
E-Mail [enquiries@kerbl.co.uk](mailto:enquiries@kerbl.co.uk)  
[www.kerbl.co.uk](http://www.kerbl.co.uk)